



DOORTRONIX, INC
5783 C.R. 1219
MALAKOFF, TX 75148
TEL: 888-453-5196
FAX: 888-579-4639
www.doortronix.com

THE NEXT GENERATION OF AUTOMATIC DOORS

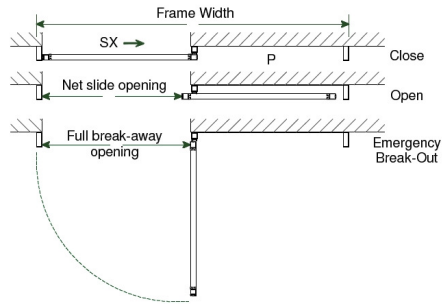
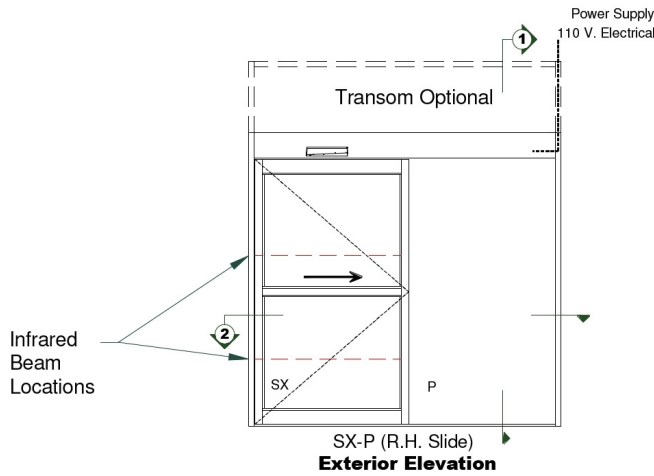
DOORTRONIX LINEAR BEARING 2100 SERIES

SX - P

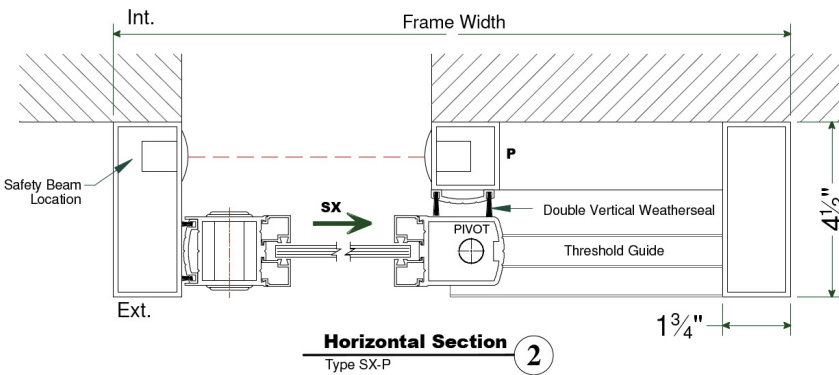
SINGLE SLIDE ESA RIGHT HAND NO SIDELITE

PROJECT INFORMATION

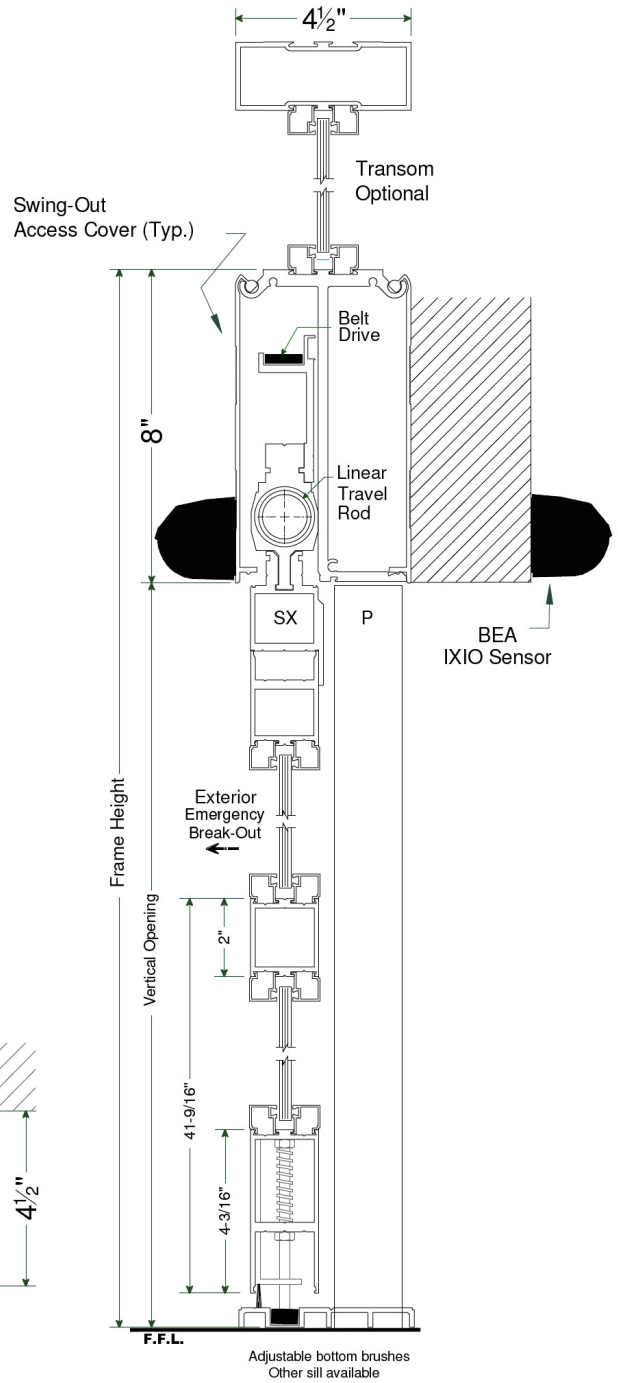
PROJECT NAME:	
LOCATION:	
DOOR	
NUMBERS:	
DATE:	SHEET: OF



Elevation & floor plans
Exterior view elevation



Horizontal Section 2
Type SX-P



1 Vertical Section

NOTES

1. ELECTRICAL REQUIREMENTS: 120 VAC, 5 AMP MIN TO POWER OPERATOR BY ELECTRICAL CONTRACTOR.
2. ROUGH OPENING SHALL PROVIDE 1/4"[6] SHIM SPACE ON SIDES AND TOP OF PACKAGE.
3. LIMITS OF ACTIVATION AND SAFETY ZONES ARE FOR REFERENCE ONLY; SEE ANSI/BHMA A156.10 FOR DETAILED REQUIREMENTS.
4. SEE SPECIFICATIONS FOR ADDITIONAL INFORMATION.

Model	Frame Width	Frame Height	Clear Door Opening	Vertical Opening	Full Breakout Opening
SX-P	6'-6" (1981)	90" (2286)	33" (838)	82" (2083)	36" (914)
SX-P	7'-0" (2134)	90" (2286)	36" (915)	82" (2083)	39" (991)
SX-P	8'-0" (2438)	90" (2286)	42" (1067)	82" (2083)	45" (1143)
SX-P	9'-0" (2743)	90" (2286)	48" (1219)	82" (2083)	51" (1295)

*Imperial (Metric - mm) - Consult Factory For Custom Sizes